

NSW Leads Australia with Rollout of Secure Digital Birth Certificates

Architecture Blueprint



NSW Digital Birth Certificates: Your Identity, Now on Your Phone

Eligibility & Everyday Utility

Exclusively for Ages 16–21

Available now for NSW-born residents within this age group via the Service NSW app.



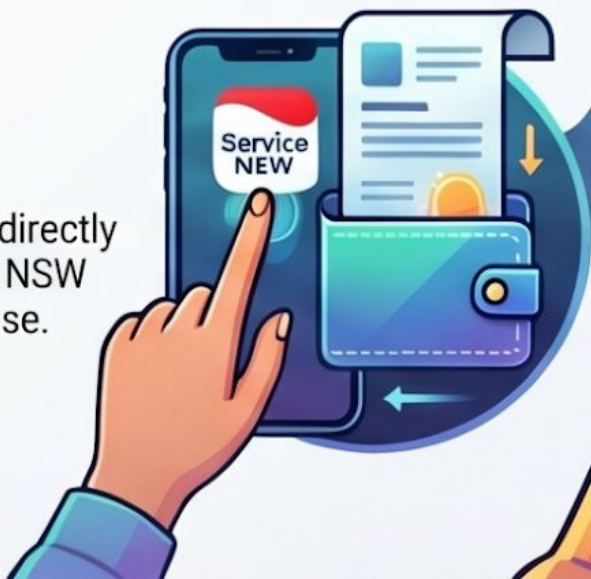
Unlock Work & Education

Use it to enroll in TAFE, apply for driver's licenses, or obtain RSA/RSG certifications.



Digital-First Access

Download the document directly into your existing Service NSW digital wallet for instant use.



Advanced Security Features

Anti-Fraud Holograms

Unlike static PDFs, it features a dynamic hologram that constantly changes to prevent copying.



International Security Standards

Built to global standards, ensuring the document is secure and resistant to hacking.



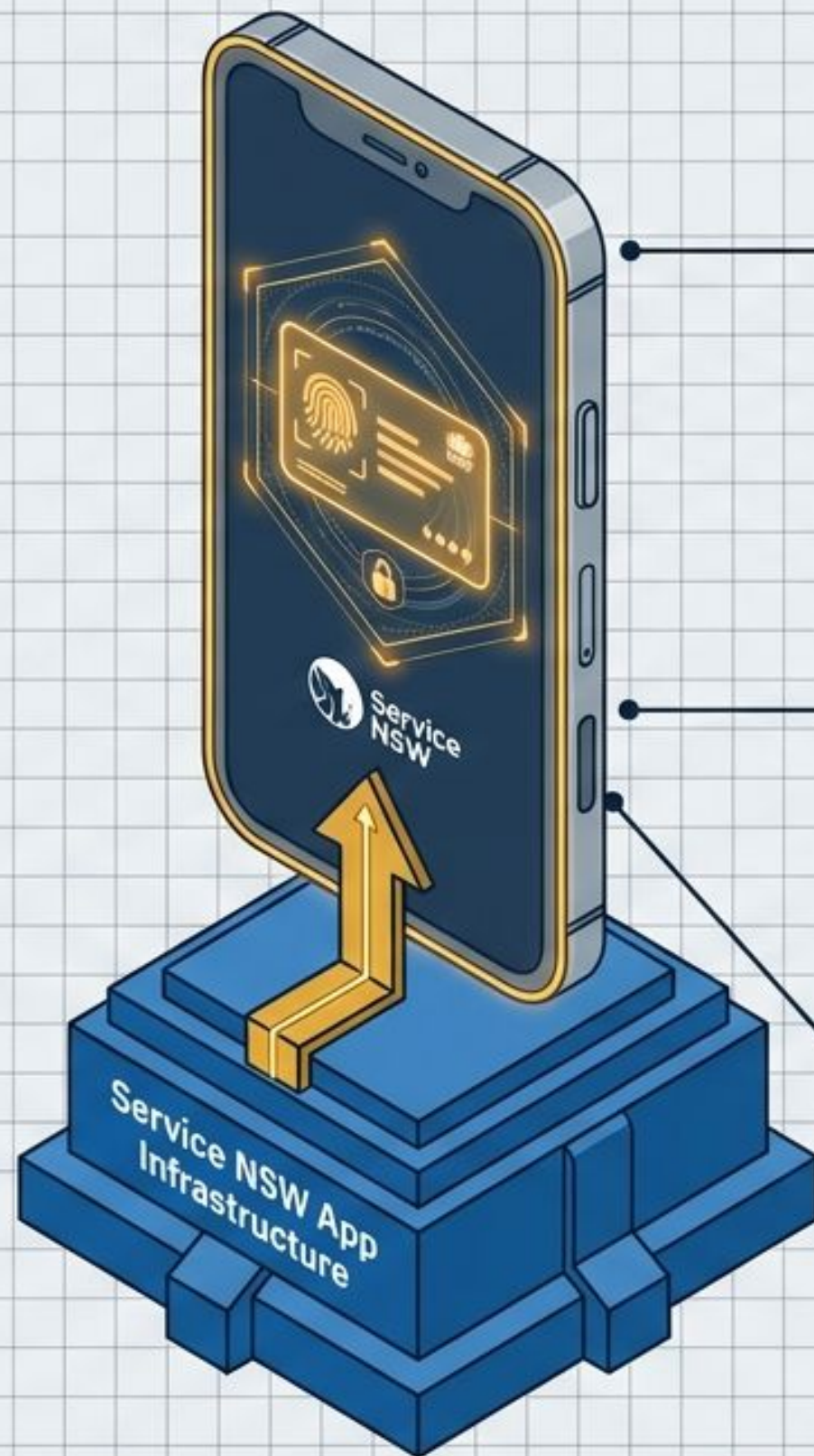
Safer Than Paper

Digital access prevents the risks of losing or oversharing information from a physical certificate



Digitizing foundational identity enhances security and access for young NSW residents

The NSW Government has launched a secure, digital alternative to the paper birth certificate, integrated directly into the Service NSW ecosystem.



Verified Identity

Exclusively available for residents born in NSW.



Instant Access

Immediate deployment for eligible residents aged 16 to 21.



Zero Data Retention

Ephemeral verification ensures personal data cannot be copied or stored by third parties.

Targeting the 16-to-21 demographic accelerates adoption and gathers critical trial feedback.



Digital Natives

High adaptability cohort with zero friction in utilizing app-based credentials over physical documents.



Life Transition Phase

The most operationally heavy window for identity verification, including enrolling in TAFE, acquiring a driver's license, and applying for first jobs.



Iterative Learning

Utilizing a controlled cohort of thousands to capture operational learnings and optimize system architecture before wider public release.

The Service NSW app centralizes identity verification across critical life and work applications.



Work Licenses

Required documentation for specialized employment, explicitly including Responsible Service of Alcohol (RSA) and gambling certificates.



Education

Streamlined age and identity verification for TAFE enrollments.



Transport

Foundational ID requirements for processing new driver's license applications.






General ID

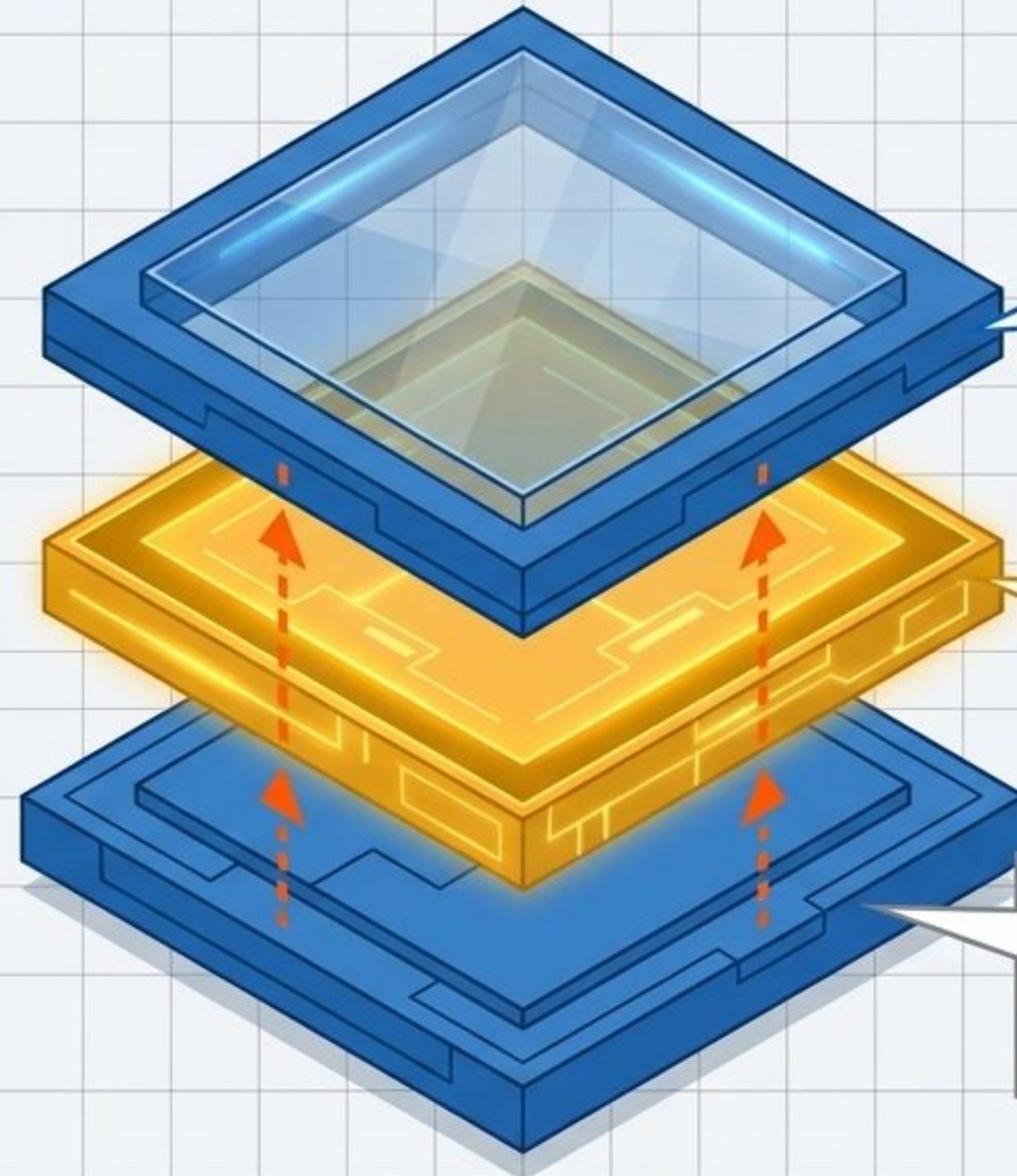
Standardized, secure age and identity verification for general societal friction points.

Digital Birth Certificate / Core Digital Identity

Transitioning to digital credentials eliminates the vulnerabilities of physical document sharing.

Risk Dimension	Physical Paper	Digital Credential
Storage & Retention 	Highly vulnerable to misplacement; typically abandoned in boxes or cupboards somewhere.	Encrypted and secured entirely within the biometric locks of the Service NSW app.
Sharing & Circulation 	Reckless oversharing; handing around unsafe, permanent physical copies to third parties.	Ephemeral, single-use verification that eliminates unnecessary data proliferation.
Authenticity Validation 	Static, easily manipulated paper or still versions of a PDF.	Dynamic, uncopyable holograms aligned with digital driver's license infrastructure.

Layered, ephemeral data protocols prevent unauthorized credential cloning and storage.



Dynamic Holographic Display

Moving visual elements replace static PDFs. Modeled on digital driver's licenses, it constantly changes to actively prevent screen-grab forgery.

Ephemeral Data Transfer

The most critical security feature: once data is used for a specific verification instance, it cannot be reused or stored by the verifying party.

International Standards

The underlying architecture is built on globally recognized, secure operational protocols for digital identity management.

A structured, test-driven rollout ensures systemic stability prior to general availability.

